

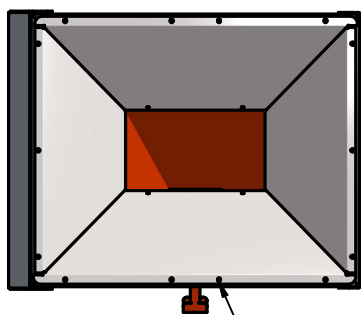
# 04002 SINGLE GRAVITY BAGGER

WEIGHT - 255kg

HOPPER VOLUME - 0.5M3

RIVETED CONSTRUCTION.

(CAN BE SUPPLIED AS BOLT TOGETHER  
FLATPACK IF SHIPPING COST IS A PROBLEM. )



3MM GALVANISED  
HOPPER & DECK

